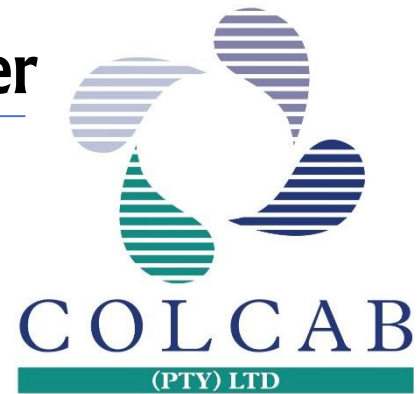


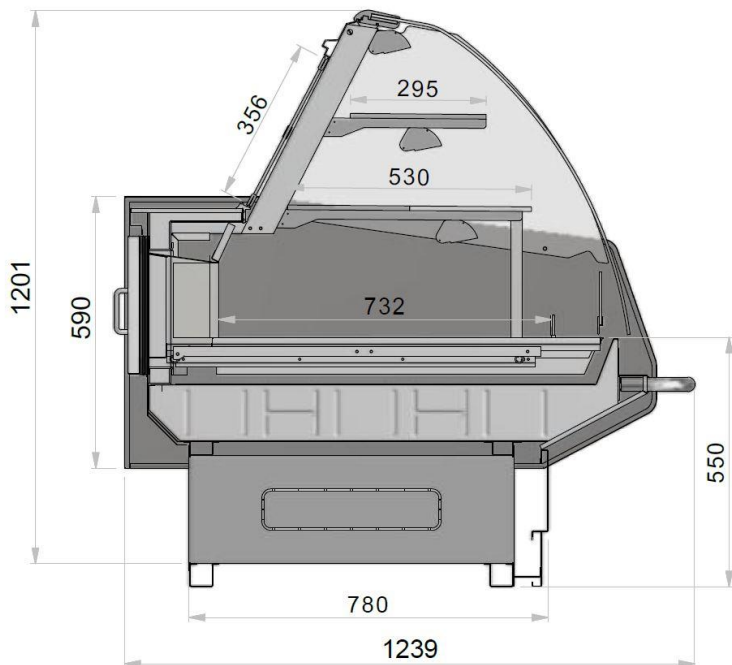
Curved glass 3-tier serve-over merchandiser, offers larger elegant glass front. Suited to confectionery and biscuit ranges for bakery retail environments.

## Basic Cake Merchandiser

# B0124

*Basic Cake  
Confectionery  
Merchandiser*





## BASIC CAKE MERCHANDISER

Please consult COLCAB Technical Spec Reference Manual for dimensions, plan views and technical specifications. Specifications subject to change without notice. Designed for optimal performance in store environments where temperature and humidity do not exceed 25°C and 60% R.H.

### Energy Options:

- ECM fans.
- LED lights - 4000k natural white.

### Standard Options:

- Available in 4', 6', 8', 12' lengths.
- Configured with a variety of front panel design options including wood, glass, stainless steel or aluminium and Linear bumper range.
- Configured with integrated glass and solid patch ends.
- Remote or self-contained options.
- Removable rear sliding close-offs.
- Fixed glass shelves.
- Front-hinged glass.
- Rear drawer inserts.

### Features and Benefits:

- Unique design ensures uniform case performance and lower average product temperatures with optimum energy efficiency.
- All-steel and powder-coated construction for increased life span and structural integrity.
- On-trend design and features will compliment both modern and contemporary store environments.
- Seamless tub liner provides positive drain run-off and enhanced sanitation.
- High quality stainless steel or aluminium double bumper system delivers practical, aesthetic and unparalleled protection and durability.



**COLCAB**  
(PTY) LTD

OPTIMISING DISPLAY EXCELLENCE

POSTAL: P.O.Box 123 • Blackheath • 7580

T: +27 (0)21 907 2800 • F: +27 (0) 907 2850

www.colcab.co.za • www.colcab.co.za/mobile