

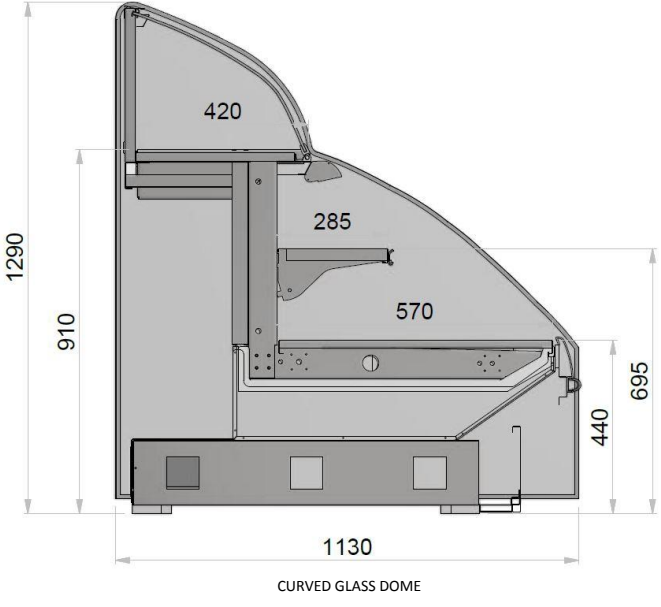
Versatile 2-tier self-service / serve-over merchandiser. Offers great product visibility and variable dome combinations. Suited for nearly every department.

Dome Combination Merchandiser

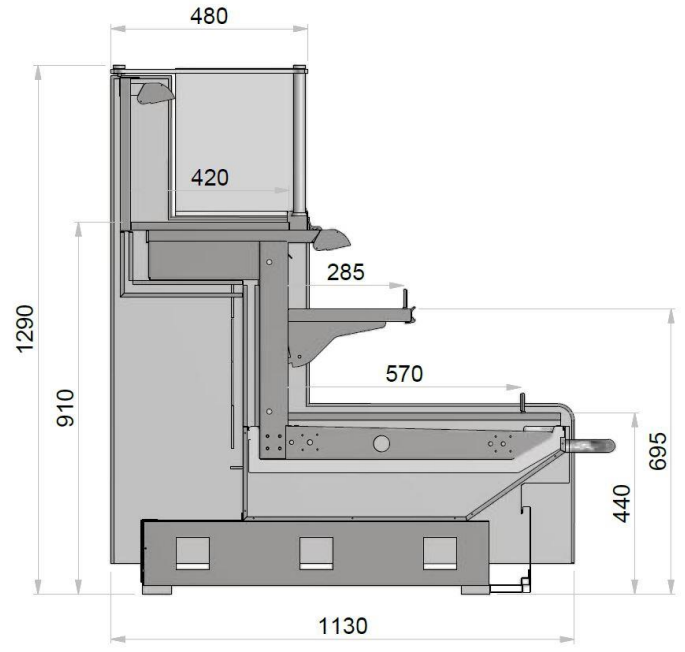
B0905

*Self-Serve and
Serve-over
Merchandiser*





CURVED GLASS DOME



SQUARE GLASS DOME

Please consult COLCAB Technical Spec Reference Manual for dimensions, plan views and technical specifications. Specifications subject to change without notice. Designed for optimal performance in store environments where temperature and humidity do not exceed 25°C and 60% R.H.

CONFECTIONARY MERCHANDISER

Energy Options:

- ECM fans.
- LED lights – 4000k natural white.

Standard Options:

- Available in 4', 6', 8', 12' lengths.
- Configured with a variety of front panel design options including Standard origin, flat front, McQue bumper, stainless steel rail and new Linear bumper.
- Self-contained option for 4' and 6' cases.
- Configured with solid or glass patch ends.
- Remote or self-contained options.
- Rear sliding close-offs.
- Front-hinged glass.
- Offers cold, hot and ambient combination for both top and bottom zones.

Features and Benefits:

- Unique design offers both serve-over and self-service solutions.
- Product visibility is enhanced by the sloped glass of the serve-over display.
- Rear glass sliders ensure increased performance and lower average product temperature.
- All-steel and powder-coated construction for increased life span and structural integrity.
- Seamless tank liner provides positive drain run-off and enhanced sanitation.
- Stainless steel bumper system provides unparalleled protection and durability.
- Rear glass slider offers greater control in the area of food-safety and hygiene.



COLCAB
(PTY) LTD

OPTIMISING DISPLAY EXCELLENCE

POSTAL: P.O.Box 123 • Blackheath • 7580
T: +27 (0)21 907 2800 • F: +27 (0) 907 2850
www.colcab.co.za • www.colcab.co.za/mobile