

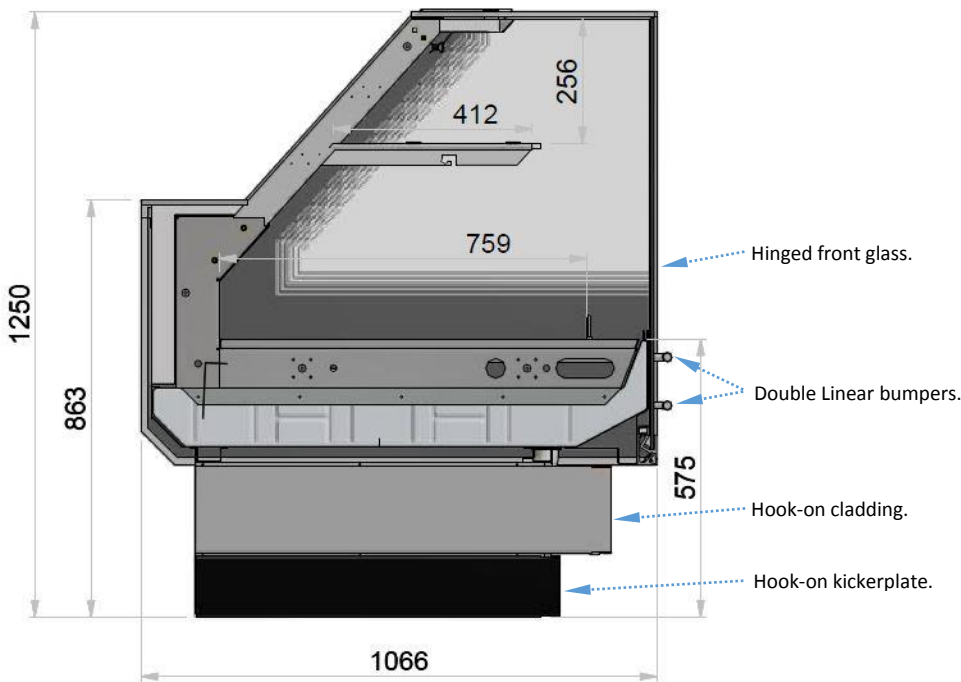
Square glass delicatessen chilled, serve-over merchandiser, offers state-of-the-art aesthetic appeal with panoramic product visibility, top and bottom supply air system and LED lighting. Suited for any delicatessen, gourmet meat or mezze type food categories.

Linear Deli Merchandiser

BA1065

*New Improved
Dual Air Zone Salad / Deli
Merchandiser*





LINEAR DELI MERCHANDISER

Please consult COLCAB Technical Spec Reference Manual for dimensions, plan views and technical specifications. Specifications subject to change without notice. Designed for optimal performance in store environments where temperature and humidity do not exceed 25°C and 60% R.H.

Energy Options:

- ECM fans.
- LED lights - 4000k natural white.

Standard Options:

- Available in 4', 6' lengths.
- Configured with a variety of front panel design options including wood, glass, stainless steel or aluminium and Linear bumper range.
- Configured with integrated glass patch ends.
- Available with ambient or top cool glass shelves.
- Optional rear storage compartment.
- Remote or self-contained options.
- Removable rear sliding close-offs.

Features and Benefits:

- Unique design ensures uniform case performance and lower average product temperatures with optimum energy efficiency.
- All-steel and powder-coated construction for increased life span and structural integrity.
- On-trend design and features will compliment both modern and contemporary store environments.
- 3-Way silk screen-printed glass offers enhanced product visibility and panoramic vista.
- Seamless tub liner provides positive drain run-off and enhanced sanitation.
- High quality stainless steel or aluminium double bumper system delivers practical, aesthetic and unparalleled protection and durability.
- Dual zone airflow ensures consistently lower temperatures on top shelf and bottom pan locations.
- Frameless glass construction.
- Easy on/off kickplate and cladding.



COLCAB
(PTY) LTD

OPTIMISING DISPLAY EXCELLENCE
POSTAL: P.O.Box 123 • Blackheath • 7580
T: +27 (0)21 907 2800 • F: +27 (0) 907 2850
www.colcab.co.za • www.colcab.co.za/mobile