

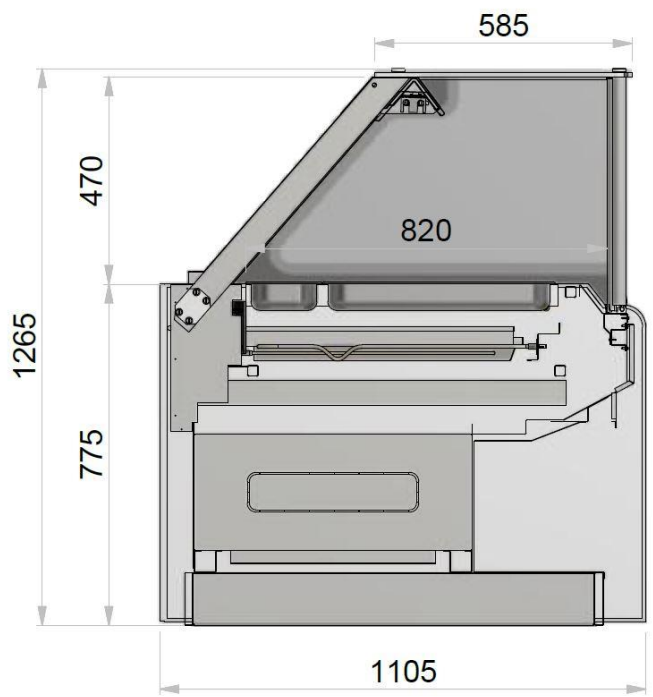
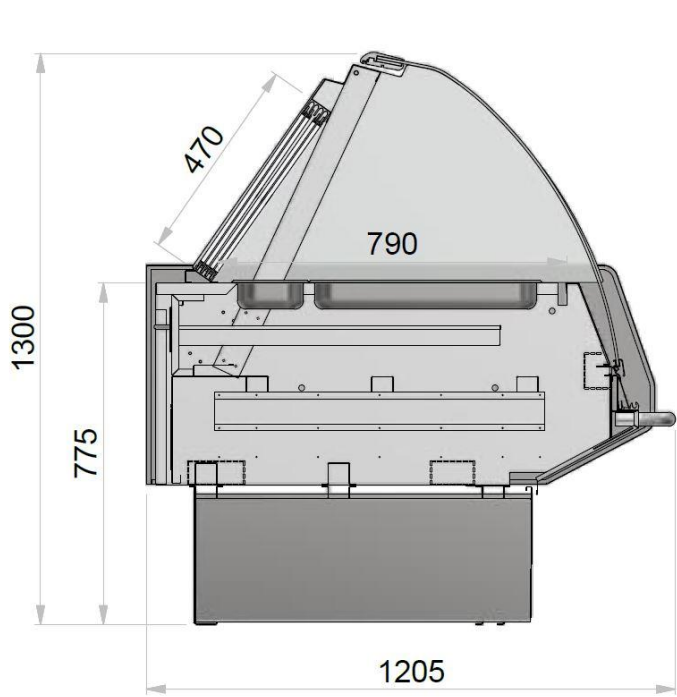
Curved glass dry meat merchandiser, offers great product visibility and variable bowl combinations. Suited to hot foods, offers ranging from traditional baine marie, fast food and ready-made meal categories.

Deli HTG Merchandiser

BI752

*Versatile Hot to Go
Serve-Over Merchandiser*





H O T T O G O M E R C H A N D I S E R

Please consult COLCAB Technical Spec Reference Manual for dimensions, plan views and technical specifications. Specifications subject to change without notice. Designed for optimal performance in store environments where temperature and humidity do not exceed 25°C and 60% R.H.

Standard Options:

- Available in 4', 6', 8', 12' lengths.
- Configured with a variety of front panel design options including Standard Origin, flat front, McQue bumpers, stainless steel rails and new Linear bumpers.
- Configured with solid and glass patch ends.
- Optional rear storage shelves.
- Integrated humidification water drawer with temperature control.

Features and Benefits:

- All-steel and powder-coated construction for increased life span and structural integrity.
- Separately controlled top and bottom heat zones.
- Shock-assisted top hinge to lift front glass.



COLCAB
(PTY) LTD

OPTIMISING DISPLAY EXCELLENCE

POSTAL: P.O.Box 123 • Blackheath • 7580
T: +27 (0)21 907 2800 • F: +27 (0) 907 2850
www.colcab.co.za • www.colcab.co.za/mobile