

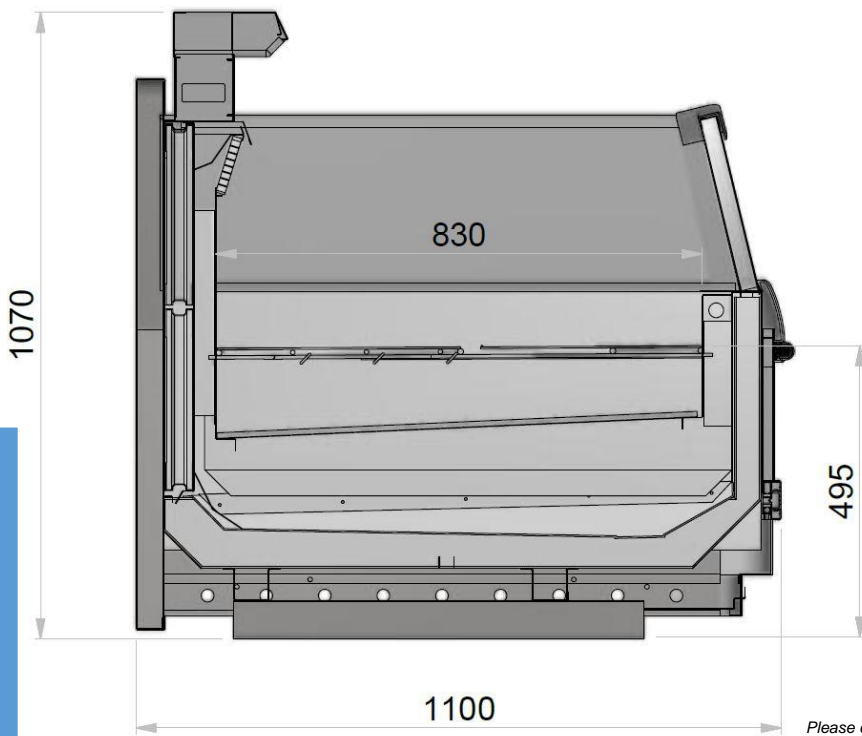
Low temperature merchandiser, offers traditional bin freezer characteristics with glass side panel for enhanced product visibility. Suited for all categories of frozen foods.

## Wizz Glass Crown-End

# BA6902

*Wizz Glass Crown-End  
Merchandiser*





WIZZ GLASS CROWN-END MERCHANDISER

Please consult COLCAB Technical Spec Reference Manual for dimensions, plan views and technical specifications. Specifications subject to change without notice. Designed for optimal performance in store environments where temperature and humidity do not exceed 25°C and 60% R.H.

### Energy Options:

- LED lights - 4000k natural white.

### Standard Options:

- Available in 7'.
- Configured with solid or glass patch ends.
- Standard electric defrost.

### Features and Benefits:

- Dedicated coil design ensures uniform case performance and lower average product temperatures with optimum energy efficiency.
- All-steel and powder-coated construction for increased life span and structural integrity.
- Seamless tub liner provides positive drain run-off and enhanced sanitation.
- Integrated, two-part McQue bumper system provides unparalleled protection and durability.
- Integrated drip tray and drainage.
- Stainless steel wire grids, offer adjustable product volume levels.
- Suited for perimeter wall locations.
- Top level ambient display 1, 2, or 3 tiered options with under shelf lighting options.



**COLCAB**  
(PTY) LTD

OPTIMISING DISPLAY EXCELLENCE

POSTAL: P.O.Box 123 • Blackheath • 7580  
T: +27 (0)21 907 2800 • F: +27 (0) 907 2850  
www.colcab.co.za • www.colcab.co.za/mobile