

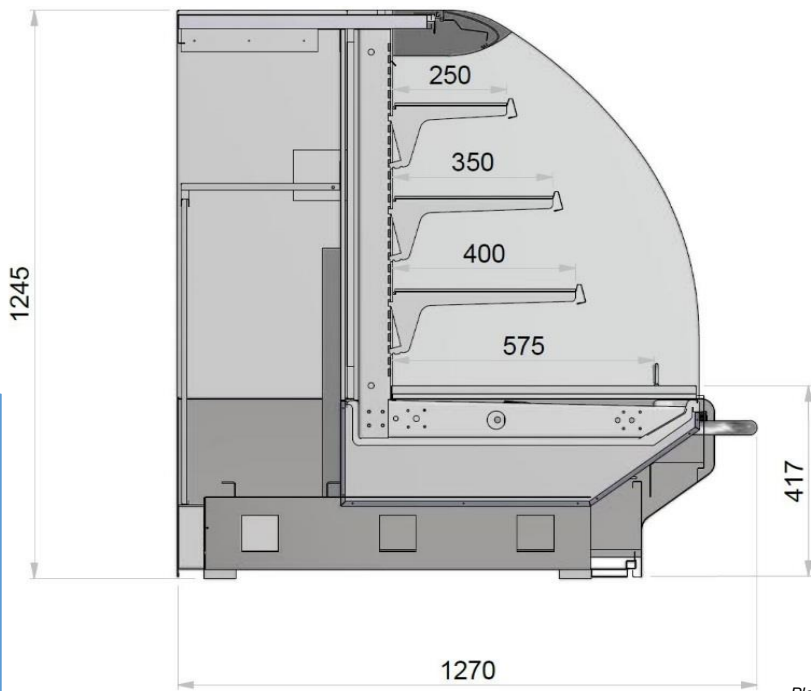
Value-added 4-tier self-service merchandiser, offers enhanced product visibility of pre-packed grab and go food solutions. Suited for food service department and stand-alone applications.

SC Sandwich Merchandiser

BA7580

*New Improved
Sandwich Merchandiser*





SELF-SERVE MERCHANDISER

Please consult COLCAB Technical Spec Reference Manual for dimensions, plan views and technical specifications. Specifications subject to change without notice. Designed for optimal performance in store environments where temperature and humidity do not exceed 25°C and 60% R.H.

Energy Options:

- LED lights - 4000k natural white.
- Butcher option LED lights available.
- Rotary compressor with inverter.

Standard Options:

- Available in 4', 6' lengths.
- Configured with solid or glass patch ends.
- Available with adjustable shelves, front fences and aluminium ticket rails or Bullnose shelves with plastic ticket rails.
- Standard off-cycle defrost for cost-effective operation; electric, hot gas or reverse cycle defrost available.

Features and Benefits:

- Unique design ensures uniform case performance and lower average product temperatures with optimum energy efficiency.
- Glass patch ends offer panoramic product visibility.
- All-steel and powder-coated construction for increased life span and structural integrity.
- Seamless tub liner provides positive drain run-off and enhanced sanitation.
- Integrated, two-part McQue bumper system provides unparalleled protection and durability.
- Slimline design offers enhanced product visibility for pre-packed value-added product. Suited for most departments.



COLCAB
(PTY) LTD

OPTIMISING DISPLAY EXCELLENCE

POSTAL: P.O.Box 123 • Blackheath • 7580

T: +27 (0)21 907 2800 • F: +27 (0) 907 2850

www.colcab.co.za • www.colcab.co.za/mobile