

PRODUCT CODE

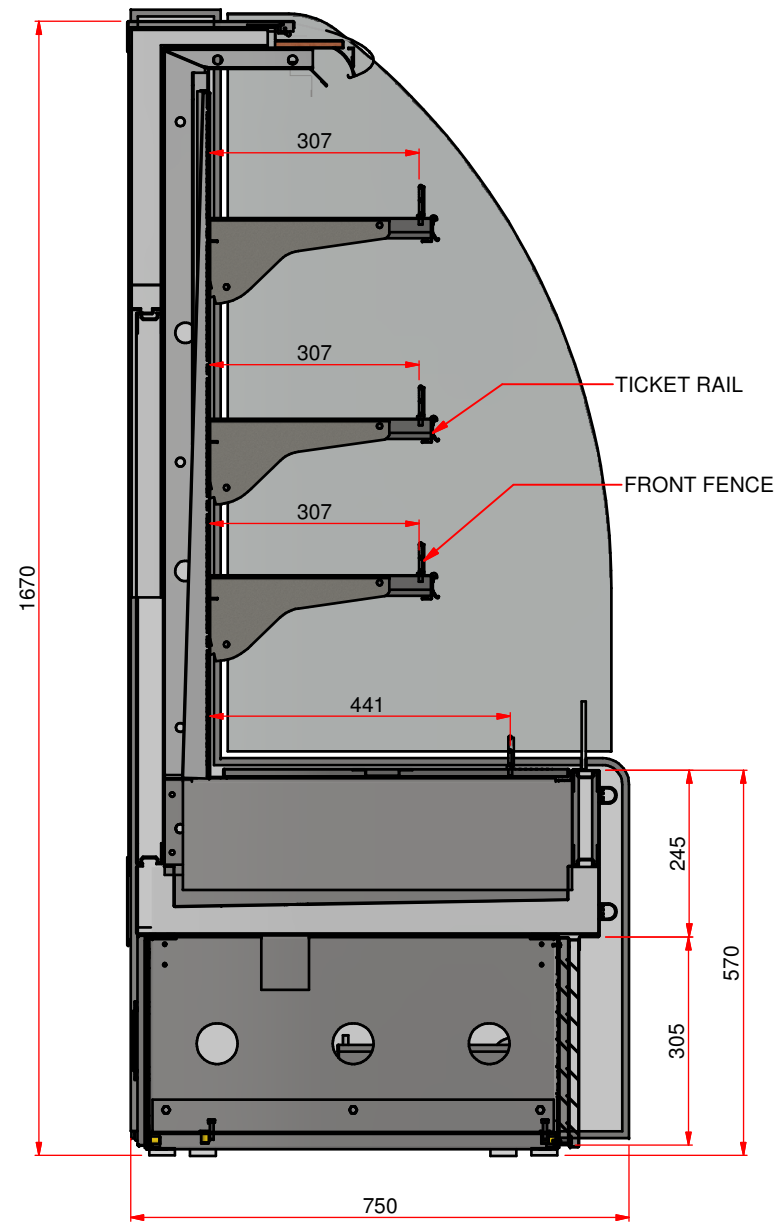
- B126204-1670 - HILO HFM SC 570 FRONT - 1670 HIGH x 04 (750 WIDE)
- B126206-1670 - HILO HFM SC 570 FRONT - 1670 HIGH x 06 (750 WIDE)
- B126208-1670 - HILO HFM SC 570 FRONT - 1670 HIGH x 08 (750 WIDE)

CASE STANDARD SPEC:

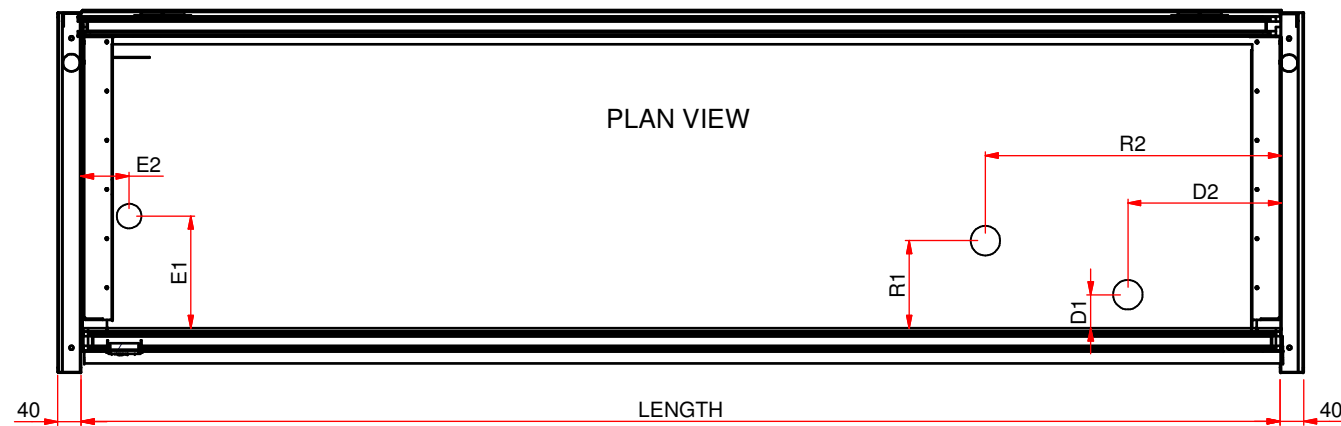
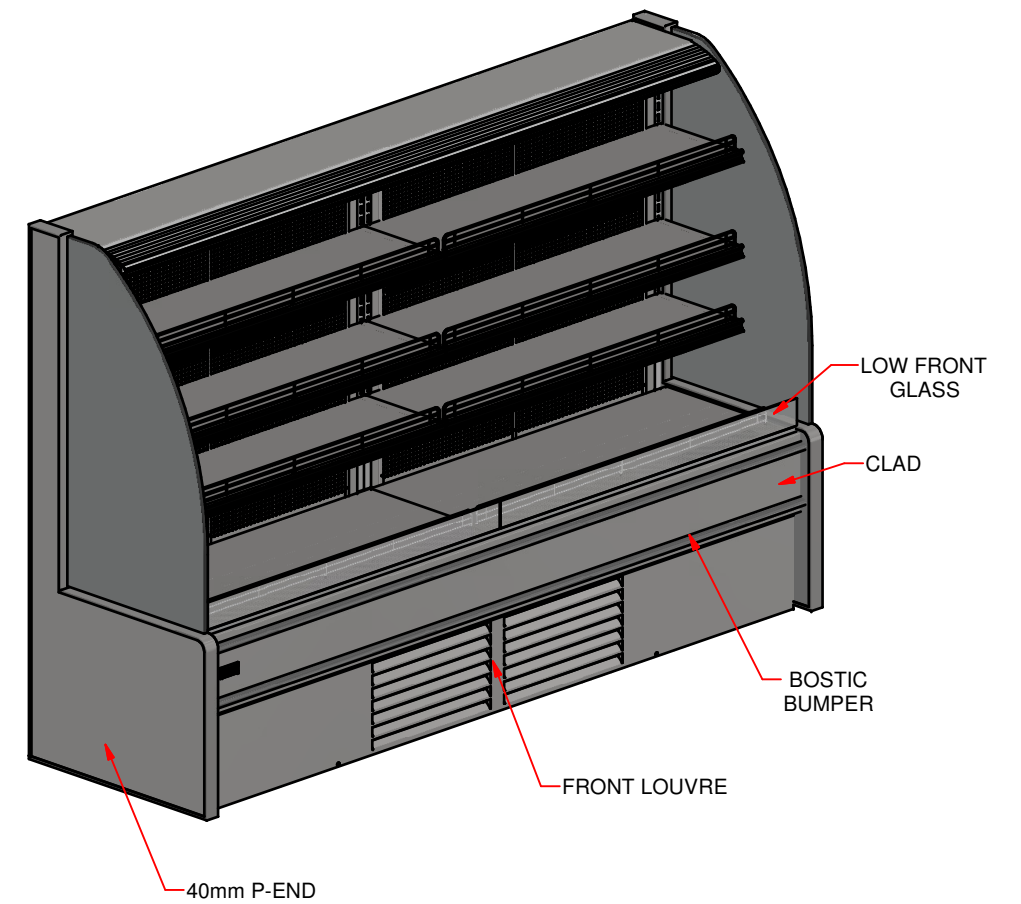
- SS INTERIOR
- FRONT LOUVRE
- LOW FRONT GLASS
- BOSTIC BUMPER
- 3 x SHELVES (T5/T8 TUBE FLORESCENT LIGHT)
- FLAT BOTTOM PAN & FRONT FENCE
- THERMOSTATIC EXPANSION VALVE (BRASS)
- 2 x PROBES (AIR OFF & DEFROST)
- SHADED POLE FAN MOTOR (SPM)
- STANDARD COIL
- ALUMINIUM TICKET RAIL OR PLASTIC TICKET RAIL
- ELECTRONIC DISPLAY
- STD OR BULLNOSE SHELF
- SELF CONTAINED UNIT (AVAILABLE UP TO 8FT)

CASE OPTIONAL SPEC:

- LINE-UP PATCH END DECAL
- 40mm P-END
- CLADDING OPTIONS: REFER TO CLAD DETAILS DOCUMENT (AVAILABLE ON DEMAND)
- ECM FANS



SIDE SECTION VIEW



PLAN VIEW

* T8 and T5 tubes optional
 ** Plus 2 x 19W circulation fans
 *** Or 3 m flexible drain pipe for plumbing option

Refrigeration Requirements		
GAS TYPE	REFRIGERATION	EVAPORATION TEMP
R404A	475 W/ft	-7°C

Physical Properties		Drain Points, Electrical Points and Refrigeration Points								Electrical Specifications					
Size	TDA (m ²)	Size	Length (m)	D1	D2	E1	E2	R1	R2	Condensing Unit	Heaters	Evaporator Fans**	Lighting	Lighting	Amps
4 FT	1.45	4 FT	1.220	140 mm	310 mm	300 mm	100 mm	250 mm	600 mm	HQHD-23KAR - 1150W	1500W	2 x Φ200-28"/36W (SPM) or 24W (ECM)	1 x 4FT = 54W	3 x 3FT = 90W	16A
6 FT	2.17	6 FT	1.830	140 mm	310 mm	300 mm	100 mm	250 mm	600 mm	HQHD-30KAR - 1400W	1500W	3 x Φ200-28"/36W (SPM) or 24W (ECM)	2 x 3FT = 78W	3 x 5FT = 174W	18A
8 FT	2.9	8 FT	2.440	140 mm	310 mm	300 mm	100 mm	250 mm	600 mm	HQHD-36KAR - 1550W	1500W	4 x Φ200-28"/36W (SPM) or 24W (ECM)	2 x 4FT = 108W	6 x 3FT = 180W	20A

NOTE
 COLOURS USED FOR REPRESENTATION PURPOSE ONLY

 CAPE TOWN Butskop Road Blackheath Tel: +27 (21) 907-2800 Fax: +27 (21) 907-2850 info.cpt@colcabct.co.za	Case Range	Case Description	
	B1262CS	HI LO HFM SC570 FRT	
	PAGE 1 OF 1	Released by G.B.	Released date 2018/01/18
	Revision R00	Revision date 2018/01/18	
INTELLECTUAL PROPERTY OF COLCAB (PTY) LTD INFORMATION SHOWN SUBJECT TO CHANGE WITHOUT PRIOR NOTICE			