

PRODUCT CODE

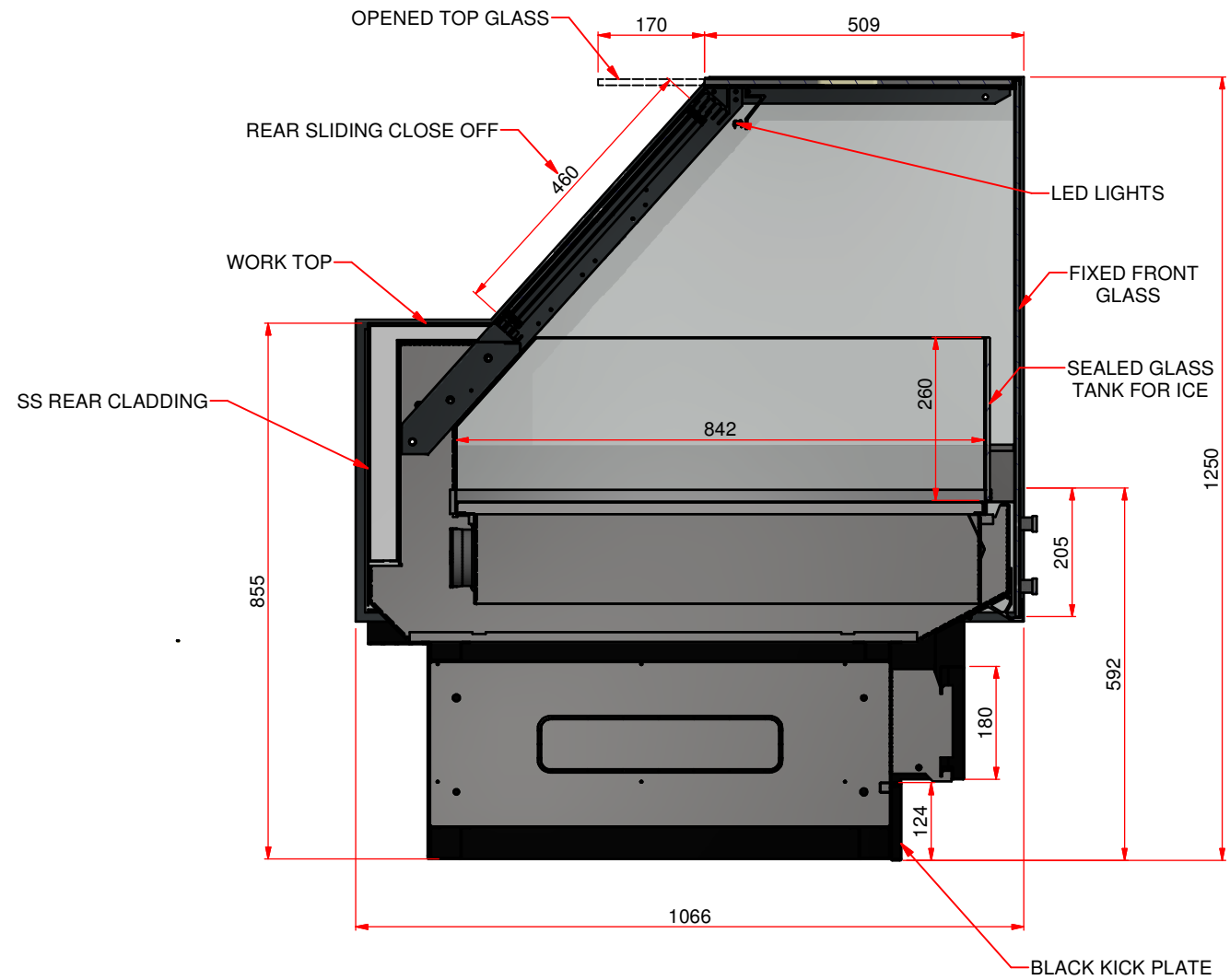
- LN023104-1250 - LN2 AMBIENT ICE - 1250 HIGH x 04
- LN023106-1250 - LN2 AMBIENT ICE - 1250 HIGH x 06
- LN023108-1250 - LN2 AMBIENT ICE - 1250 HIGH x 08
- LN023112-1250 - LN2 AMBIENT ICE - 1250 HIGH x 12

CASE STANDARD SPEC:

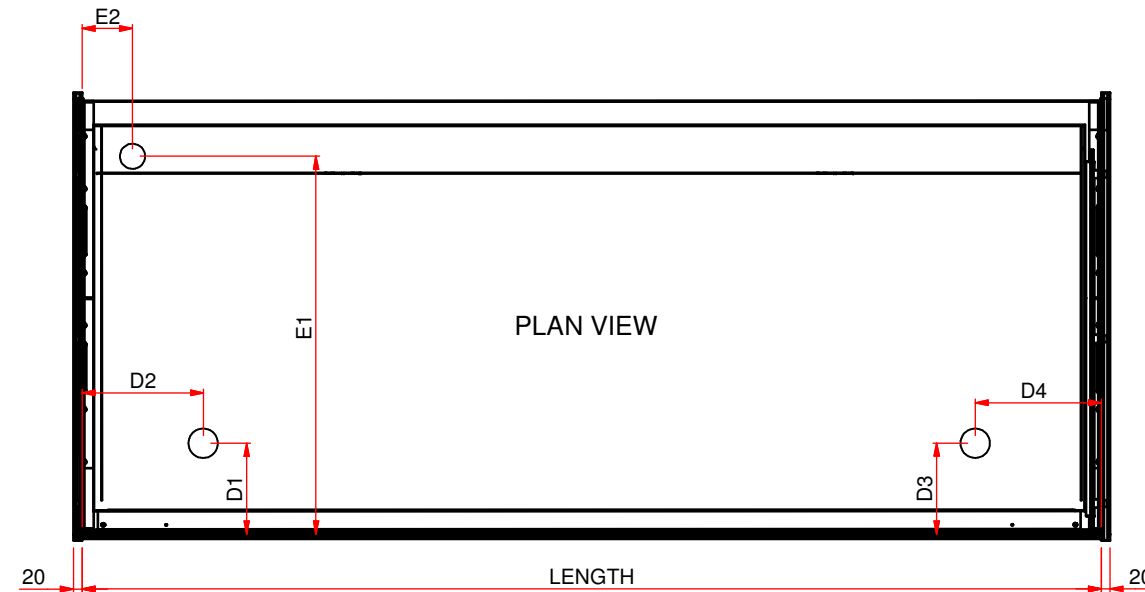
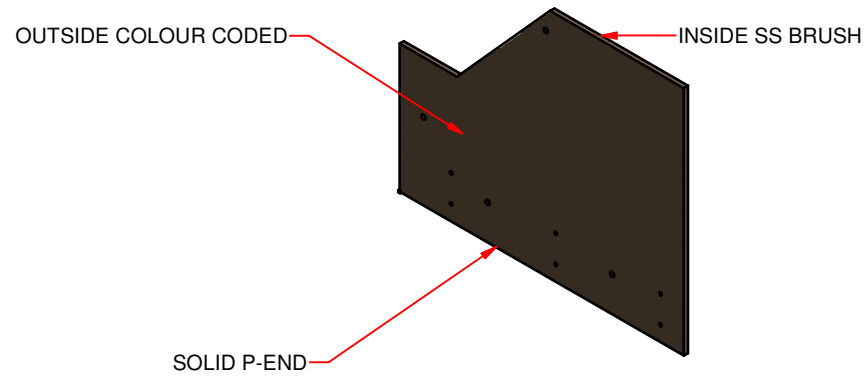
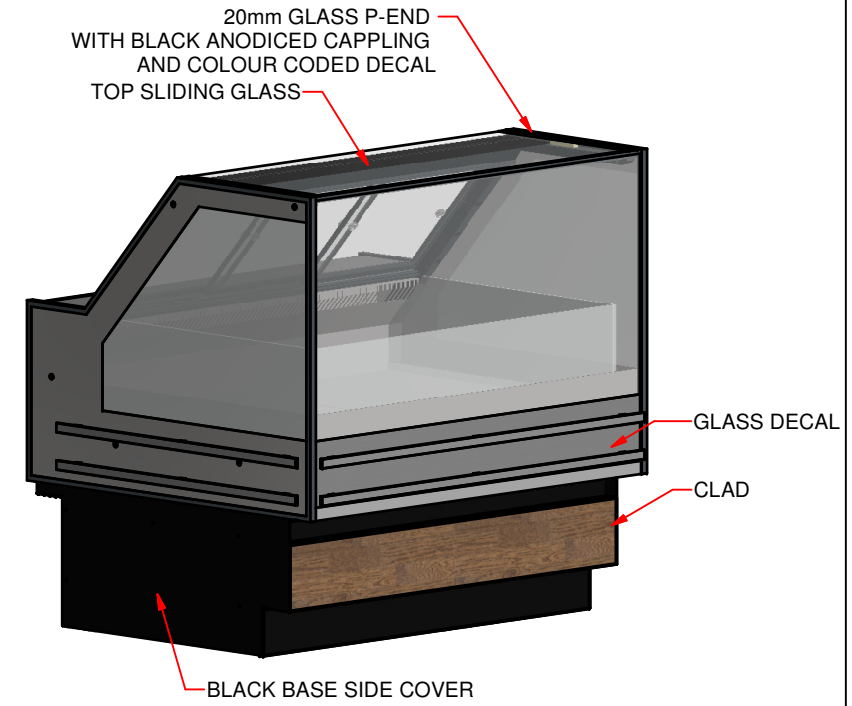
- SS REAR WORK TOP
- SS INTERIOR
- BLACK KICK PLATE
- SS REAR CLADDING
- BLACK BASE SIDE COVER
- FIXED FRONT GLASS
- SLIDING BLACK PRINTED TOP GLASS
- REAR SLIDING CLOSE OFF
- LED LIGHT: FRT5 NW 4000K, 24V
- PERFORATED FLAT BOTTOM PAN
- LINEAR FRONT BAR
- SEALED GLASS TANK FOR ICE
- CIRCULATION FANS

CASE OPTIONAL SPEC:

- 20mm GLASS P-END WITH BLACK CAPPING
- SOLID COLOUR CODED P-END
- CLADDING OPTIONS: REFER TO CLAD DETAILS DOCUMENT (AVAILABLE ON DEMAND)




SIDE SECTION VIEW

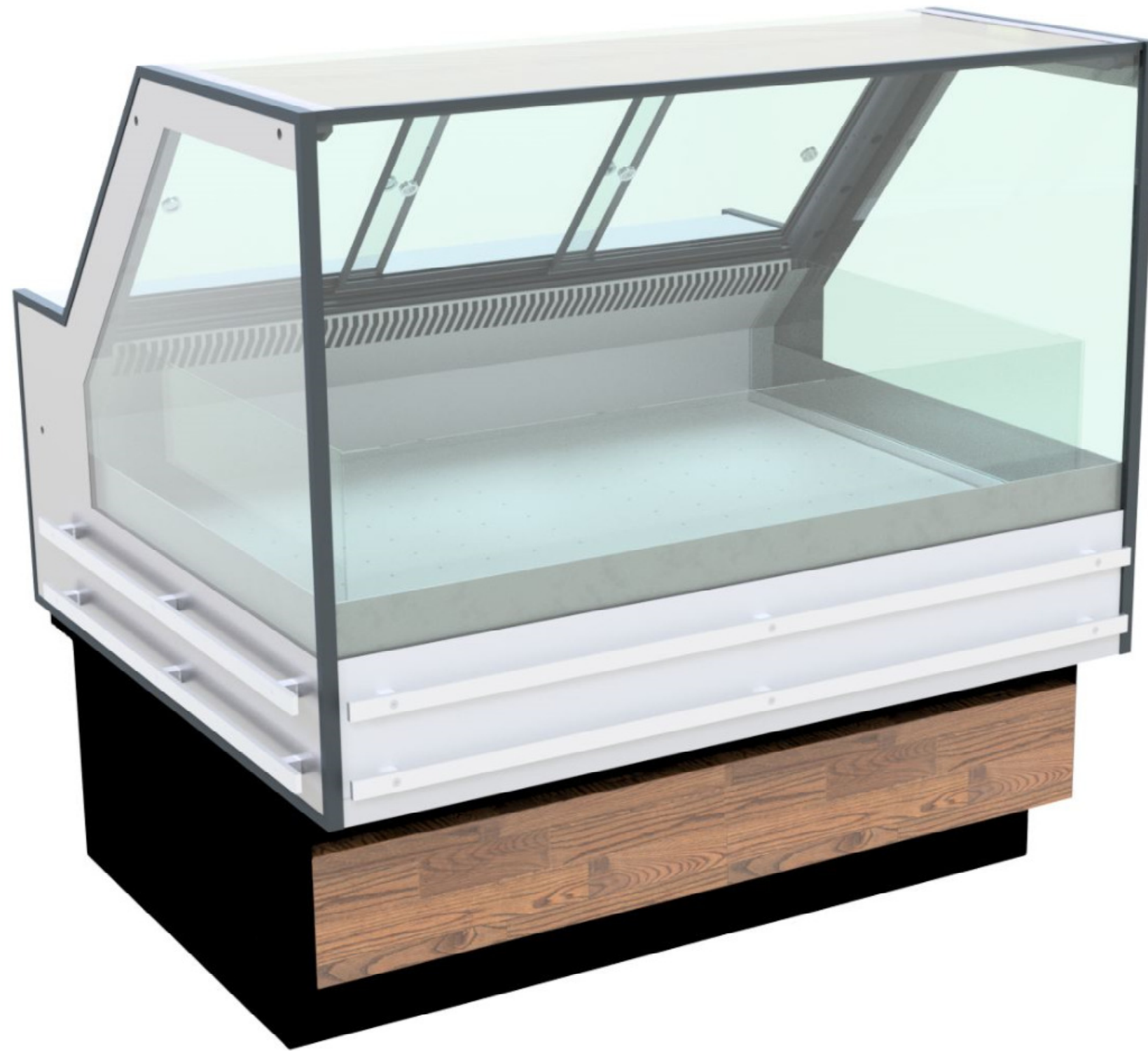



PLAN VIEW

NOTE
COLOURS USED FOR REPRESENTATION PURPOSE ONLY

 COLCAB CAPPE TOWN Butskop Road Blackheath Tel: +27 (21) 907-2800 Fax: +27 (21) 907-2850 info.cpt@colcabct.co.za	Case Range	Case Description	
	L0231	LN2 AMBIENT ICE	
	PAGE 1 OF 2	Released by GB	Released date 2018/01/16
	Revision R00	Revision date 2018/01/18	
INTELLECTUAL PROPERTY OF COLCAB (PTY) LTD INFORMATION SHOWN SUBJECT TO CHANGE WITHOUT PRIOR NOTICE			

Physical Properties			Drain Points, Electrical Points and Refrigeration Points						Electrical Specifications	
Size	Length (m)	TDA (m²)	D1	D2	D3	D4	E1	E2	Circulation Fan	Lighting
4FT	1.218	1.13	230 mm	609 mm	-	-	800 mm	110 mm	ebm 3656 1 x 12W	Case (LED) 1 x 16W
6FT	1.828	1.72	230 mm	914 mm	-	-	800 mm	110 mm	1 x 12W	1 x 25W
8FT	2.440	2.30	230 mm	609 mm	230 mm	609 mm	800 mm	110 mm	2 x 12W	2 x 16W
12FT	3.660	3.47	230 mm	600 mm	230 mm	600 mm	800 mm	110 mm	2 x 12W	3 x 16W



 COLCAB <small>OPTIMISING ENERGY EFFICIENCY</small> CAPE TOWN Butskop Road Blackheath Tel: +27 (21) 907-2800 Fax: +27 (21) 907-2850 info.cpt@colcabct.co.za	Case Range	Case Description	
	L0231	LN2 AMBIENT ICE	
	PAGE 2 OF 2	Released by G.B.	Released date 2018/01/16
	Revision R00	Revision date 2018/01/16	
<small>INTELLECTUAL PROPERTY OF COLCAB (PTY) LTD INFORMATION SHOWN SUBJECT TO CHANGE WITHOUT PRIOR NOTICE</small>			