

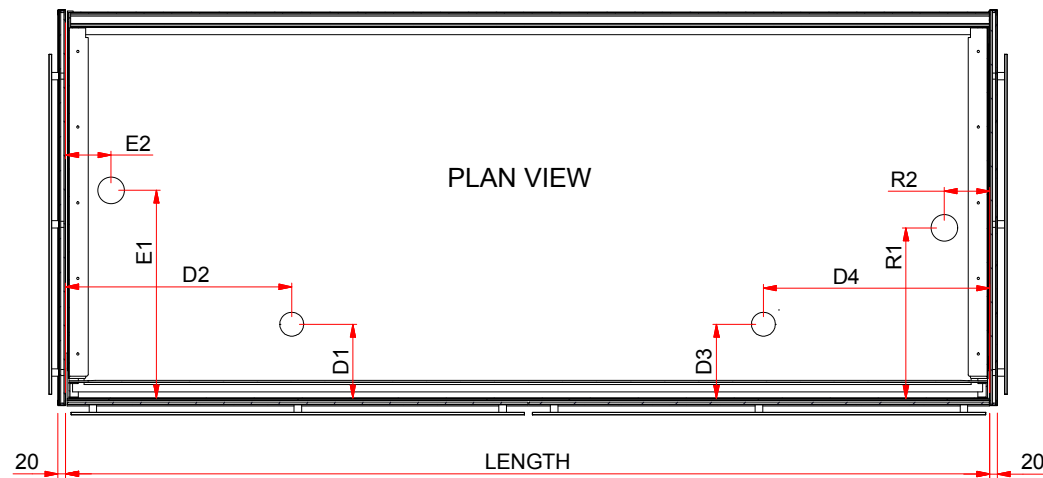
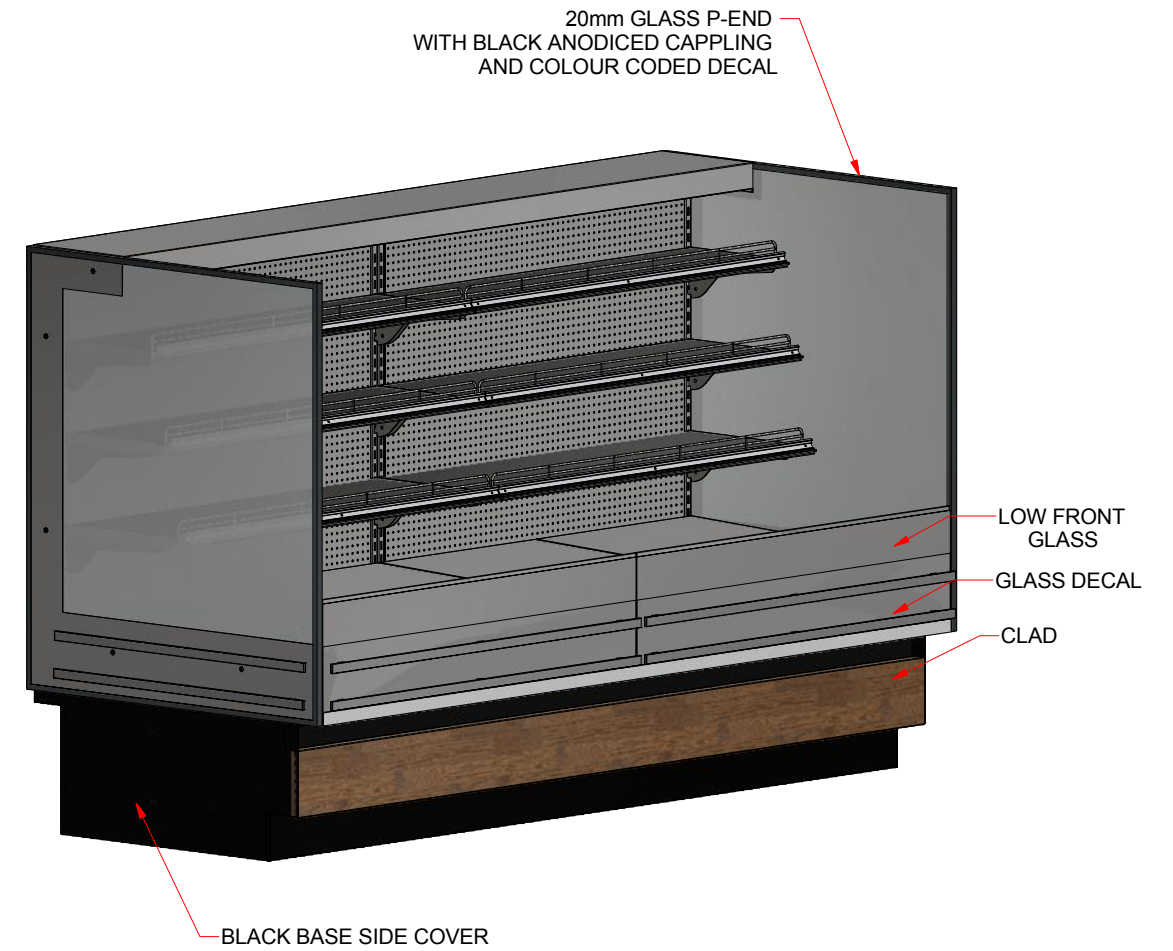
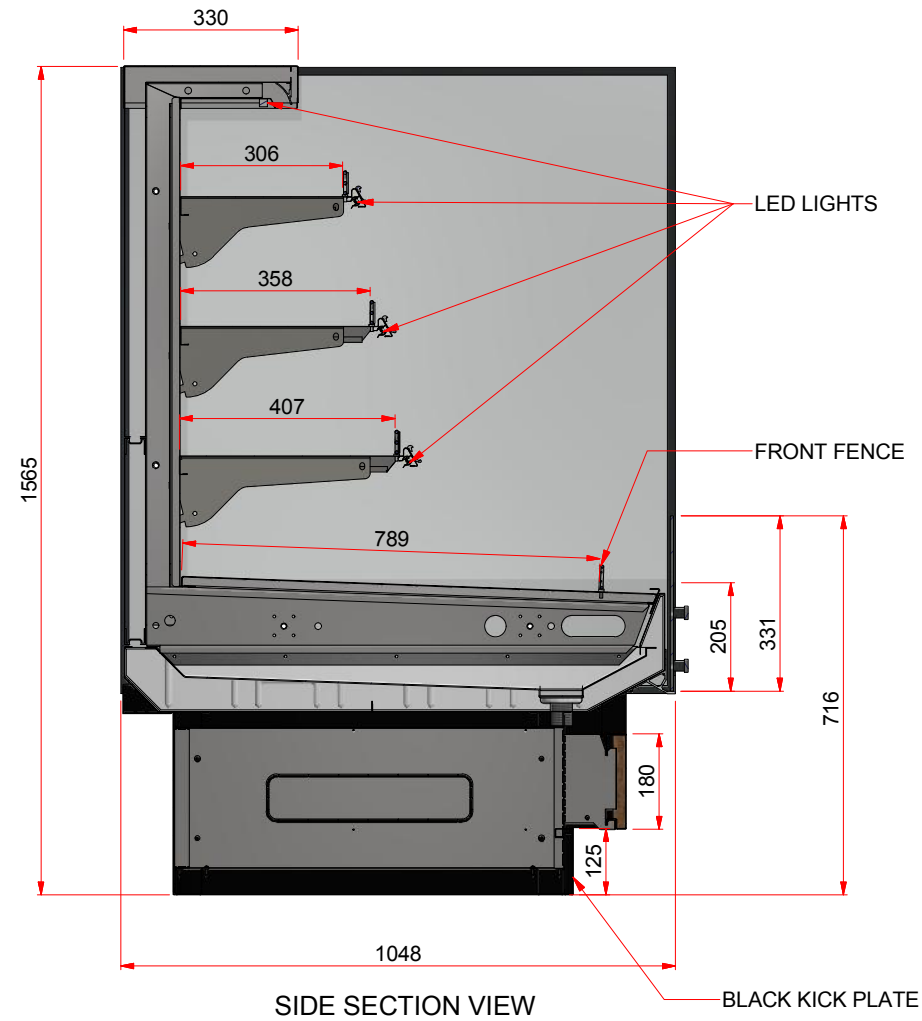
LN123004-1565 - LN2 S/SERVE "550" FRT - 1565 HIGH x 04
 LN123006-1565 - LN2 S/SERVE "550" FRT - 1565 HIGH x 06
 LN123008-1565 - LN2 S/SERVE "550" FRT - 1565 HIGH x 08
 LN123012-1565 - LN2 S/SERVE "550" FRT - 1565 HIGH x 12

CASE STANDARD SPEC:

- SS INTERIOR
- BLACK KICK PLATE
- BLACK BASE SIDE COVER
- LOW FRONT GLASS
- LINEAR FRONT BAR
- 2 OR 3 x BULLNOSE STAINLESS STEEL SHELVES
- LED LIGHTS: FRT5 NW 4000K, 24V
- FLAT BOTTOM PAN & FRONT FENCE
- LINEAR FRONT BAR
- THERMOSTATIC EXPANSION VALVE (BRASS)
- 2 x PROBES (AIR OFF & DEFROST)
- SHADED POLE FAN MOTOR (SPM)
- STANDARD COIL
- ALUMINIUM TICKET RAIL OR PLASTIC TICKET RAIL
- ELECTRONIC DISPLAY

CASE OPTIONAL SPEC:

- LINE-UP PATCH END DECAL
- 20mm GLASS P-END WITH BLACK CAPPING
- CLADDING OPTIONS: REFER TO CLAD DETAILS DOCUMENT (AVAILABLE ON DEMAND)
- ECM FANS
- ELECTRONIC VALVE (EV)
- SELF CONTAINED UNIT (AVAILABLE UP TO 8FT)
- FRONT FENCE
- STANDARD STAINLESS STEEL SHELVES




Refrigeration Requirements	
REFRIGERATION	EVAPORATION TEMP
475 W/ft	-7°C

Physical Properties			Drain Points, Electrical Points and Refrigeration Points								Electrical Specifications				
Size	Length (m)	TDA (m ²)	D1	D2	D3	D4	E1	E2	R1	R2	Evaporator Fans Fan Blade + Motor	Heaters Anti-Sweat	Heaters Defrost	Lighting Case (LED)	Lighting Shelf (LED)
4FT	1220	1.920	250 mm	600 mm	-	-	550 mm	100 mm	450 mm	120 mm	2 x Φ 172-31"/36W (SPM) or 24W (ECM)	-	1 x 800W	1 x 16W = 16W	3 x 12W = 36W
6FT	1830	2.881	250 mm	590 mm	250 mm	590 mm	550 mm	100 mm	450 mm	120 mm	3 x Φ 172-31"/36W (SPM) or 24W (ECM)	-	1 x 1200W	1 x 25W = 25W	3 x 20W = 60W
8FT	2440	3.841	250 mm	590 mm	250 mm	590 mm	550 mm	100 mm	450 mm	120 mm	4 x Φ 172-31"/36W (SPM) or 24W (ECM)	-	1 x 1600W	2 x 16W = 32W	6 x 12W = 72W
12FT	3660	5.762	250 mm	590 mm	250 mm	590 mm	550 mm	100 mm	450 mm	120 mm	6 x Φ 172-31"/36W (SPM) or 24W (ECM)	-	2 x 1200W	3 x 16W = 48W	9 x 12W = 108W

NOTE
 COLOURS USED FOR REPRESENTATION PURPOSE ONLY

 COLCAB BUTTSKOP ROAD BLACKHEATH CAPE TOWN Tel: +27 (21) 907-2800 Fax: +27 (21) 907-2850 info.cpt@colcabct.co.za	Case Range	Case Description
	LN1230	LN2 HILO S/S 1565 H
	PAGE 1 OF 2	Released by G.B Released date 2018/01/16 Revision R00 Revision date 2018/01/16
INTELLECTUAL PROPERTY OF COLCAB (PTY) LTD INFORMATION SHOWN SUBJECT TO CHANGE WITHOUT PRIOR NOTICE		



 COLCAB <small>OPTIMISING THROUGH INNOVATION</small> CAPE TOWN Butskop Road Blackheath Tel: +27 (21) 907-2800 Fax: +27 (21) 907-2850 info.cpt@colcabct.co.za	Case Range	Case Description	
	LN1230	LN2 HILO S/S 1565 H	
	PAGE 2 OF 2	Released by G.B	Released date 2018/01/16
		Revision R00	Revision date 2018/01/16
<small>INTELLECTUAL PROPERTY OF COLCAB (PTY) LTD INFORMATION SHOWN SUBJECT TO CHANGE WITHOUT PRIOR NOTICE</small>			